

BT7518

FLAT SCREEN WALL MOUNT WITH TILT AND SWIVEL

- Fits 75mm x 75mm and 100mm x 100mm VESA mounting patterns
- Mounts screen only 95mm (3.7") from wall
- Tilts +/-17° and swivels 180°
- Allows 360° rotation of screen in any direction to display screen in landscape or portrait style
- Features post installation screen levelling
- Simple hook-on installation with all mounting hardware included



Screen Size	10" - 23"
Max. Weight	20Kg (44lbs)
Distance from Wall	95mm (3.7")
VESA Compatibility	75 x 75 100 x 100
Tilt	+/-17°
Swivel	180°
Colours Available	Black

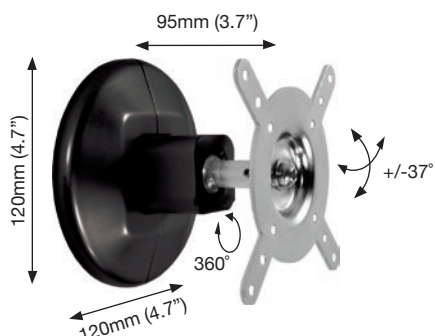
Registered Design No.
4003649



BT7519

AVIBALL FLAT SCREEN WALL MOUNT WITH TILT AND SWIVEL

- Fits 50mm x 50mm, 75mm x 75mm and 100mm x 100mm VESA mounting patterns
- Mounts screen 95mm (3.7") from wall
- Tilts +/-37° and swivels 37°
- Features post installation screen levelling
- Simple hook-on installation with all mounting hardware included



Screen Size	10" - 23"
Max. Weight	15kg (33lbs)
Distance from Wall	95mm (3.7")
VESA Compatibility	50 x 50 75 x 75 100 x 100
Tilt	+/-37°
Swivel	74°
Colours Available	Black

Patent Application No.
GB0709308.1

