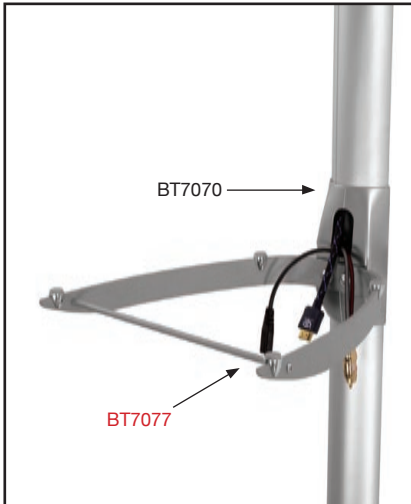


## BT7077

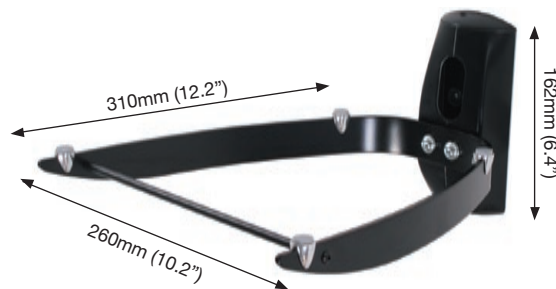
### AV COMPONENT SHELF

- Can be used in conjunction with the BT7070 Cable Manager or as a standalone shelf
- Supplied with 4 polished alloy feet and non-slip rubber inlays



\*Cable manager (BT7070) and leads available separately

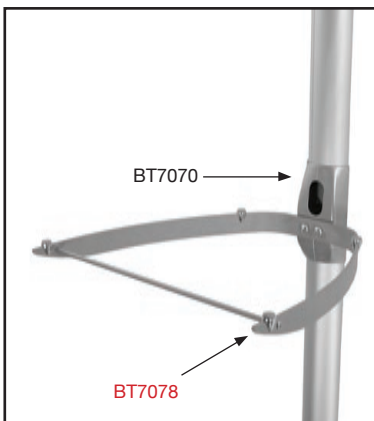
- Maximum load: 10kg (22lbs)
- Simple installation with all mounting hardware included
- Best suited for equipment up to 430mm (16.9") wide x 260mm (10.2") deep
- 40mm (1.6") x 20mm (0.8") cable hole
- **Available in Black**



## BT7078

### LARGE AV COMPONENT SHELF

- Can be used in conjunction with the BT7070 Cable Manager or as a standalone shelf
- Supplied with 4 polished alloy feet and non-slip rubber inlays



\*Cable manager (BT7070) available separately

- Maximum load: 10kg/22lbs
- 40mm (1.6") x 20mm (0.8") cable hole
- Simple installation with all mounting hardware included
- Best suited for equipment up to 430mm (16.9") wide x 360mm (14.2") deep
- **Available in Black**

