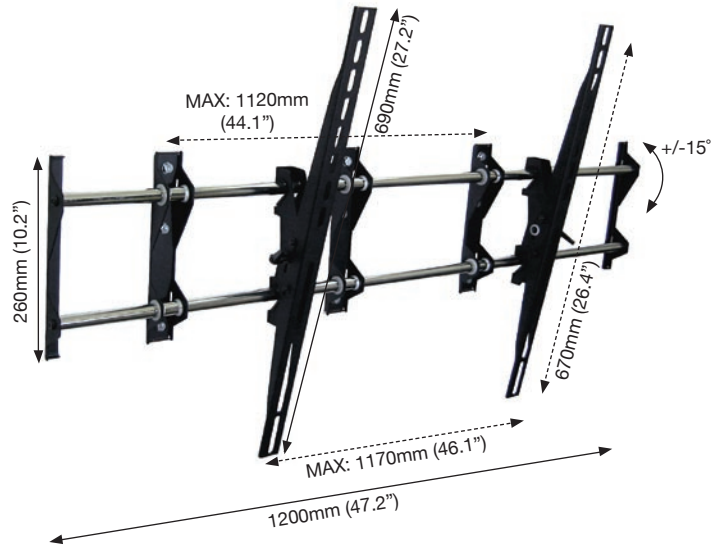


BT9904

X-LARGE FLAT SCREEN WALL MOUNT WITH TILT

- Suitable for VESA & Non-VESA screens between 57" – 72"
- Mounts screen only 80mm (3.1") from wall
- Tilts +/-15°
- Suitable for concrete / brick or stud walls up to 32"
- Simple hook-on installation with all mounting hardware included



Screen Size 57" - 72"

Max. Weight 113kg (249lbs)

Distance From Wall 80mm (3.1")

Max. Distance Between Fixings H: 1170mm (46.1")
V: 670mm (26.4")

Tilt +/-15°

VESA	200 x 200	600 x 400
	400 x 200	800 x 400
	300 x 200	800 x 500
	300 x 300	800 x 600
	400 x 400	

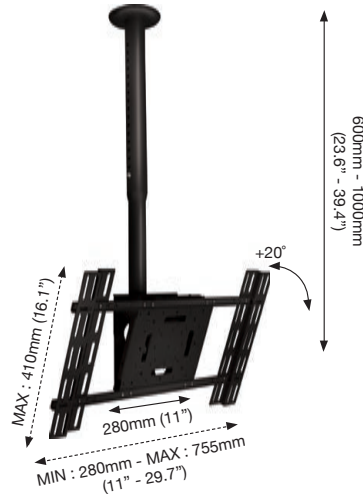
Colours Available Black



BT8427

TELESCOPIC FLAT PANEL CEILING MOUNT

- Suitable for screens between 30" – 50"
- Cable management
- Coverplate included for smart installation
- Mounts screen in landscape or portrait style
- Security Allen key and screws provided
- Simple hook-on installation with all mounting hardware included
- Ceiling plate diameter: 150mm (5.9")
- Ceiling drop: 600mm (23.6") - 1000mm (39.4") in 25mm increments
- Tilts up to +20° down with fixed positions of 0°, +15° and +20°
- Includes universal flat screen interface kit



Screen Size 30" - 50"

Max. Weight 70Kg (150lbs)

Max. Dist. Between Fixings H: 255mm (10") - 755mm (29.7")
V: 410mm (16.1")

Tilt +20°

VESA	75 x 75	300 x 200
	100 x 100	300 x 300
	200 x 100	400 x 400
	200 x 200	600 x 400
	400 x 200	

Colours Available Black



Registered Design No.
4003650

