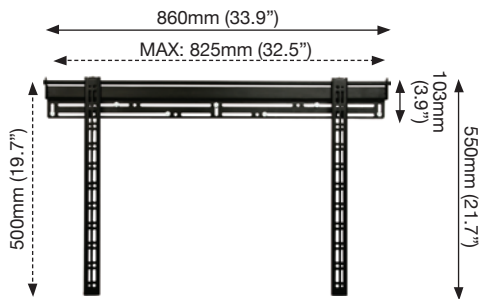


BT8422

LARGE FLAT SCREEN WALL MOUNT

- Suitable for VESA & Non-VESA screens between 37" – 61"
- Mounts screen only 30mm (1.2") from wall
- Suitable for concrete / brick or stud walls
- Includes locking bar for secure installation
- Features post installation lateral screen adjustment
- Includes locking bar for secure installation
- Simple hook-on installation with all mounting hardware included
- Revised interface fixings for improved screen compatibility



Screen Size	37" - 61"	
Max. Weight	70kg (150lbs)	
Distance From Wall	30mm (1.2")	
Max. Distance Between Fixings	H: 825mm (32.5")	V: 500mm (19.7")
VESA	75 x 75	300 x 200
	100 x 100	300 x 300
	200 x 100	400 x 400
	200 x 200	600 x 400
	400 x 200	800 x 400

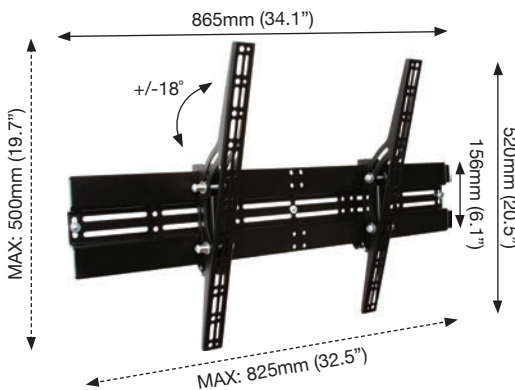
Colours Available **Black**

Registered Design No.
3021713

BT8432

LARGE FLAT SCREEN WALL MOUNT WITH TILT

- Suitable for VESA & Non-VESA screens between 37" – 61"
- Mounts screen only 80mm (3.1") from wall
- Features new torsion tilt mechanism for +/-18° tilt
- Suitable for concrete / brick or stud walls
- Features post installation lateral screen adjustment
- Includes locking bar for secure installation
- Simple hook-on installation with all mounting hardware included
- Revised interface fixings for improved screen compatibility



Screen Size	37" - 61"	
Max. Weight	70kg (150lbs)	
Distance From Wall	80mm (3.1")	
Max. Distance Between Fixings	H: 825mm (32.5")	V: 500mm (19.7")
Tilt	+/-18°	
VESA	75 x 75	300 x 200
	100 x 100	300 x 300
	200 x 100	400 x 400
	200 x 200	600 x 400
	400 x 200	800 x 400

Colours Available **Black**

Patent Application No.
GB0817023.5

Registered Design No.
3021714