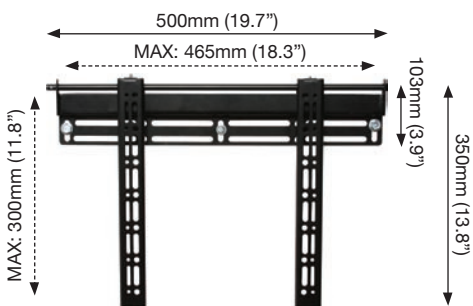
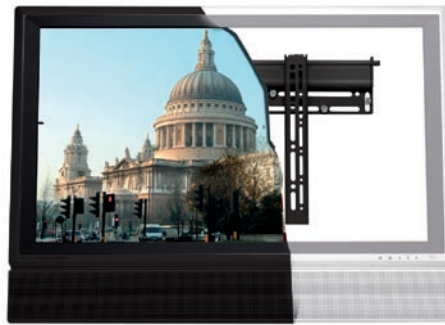


BT8421

FLAT SCREEN WALL MOUNT

- Suitable for VESA & Non-VESA screens between 21" - 37"
- Mounts screen only 30mm (1.2") from wall
- Suitable for concrete/brick or stud walls up to 16"
- Includes locking bar for secure installation
- Features post installation lateral screen adjustment
- Includes locking bar for secure installation
- Simple hook-on installation with all mounting hardware included
- Revised interface fixings for improved screen compatibility



Screen Size 21" - 37"

Max. Weight 35kg/77lbs

Distance From Wall 30mm (1.2")

Max. Distance Between Fixings H: 465mm (18.3") V: 300mm (11.8")

VESA	75 x 75	300 x 200
	100 x 100	300 x 300
	200 x 100	400 x 200
	200 x 200	

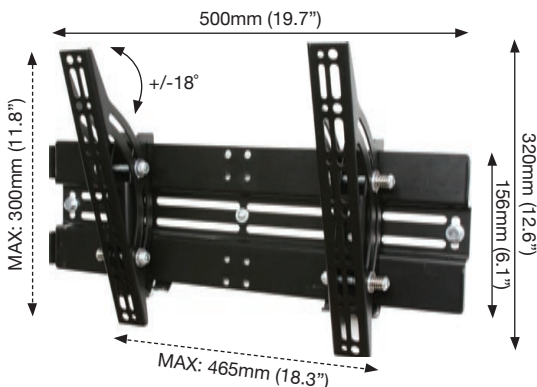
Colours Available **Black**

Registered Design No. 3021713

BT8431

MEDIUM FLAT SCREEN WALL MOUNT WITH TILT

- Suitable for VESA & Non-VESA screens between 21" - 37"
- Mounts screen only 80mm (3.1") from wall
- Features new torsion tilt mechanism for +/-18° tilt
- Suitable for concrete / brick or stud walls up to 16"
- Features post installation lateral screen adjustment
- Includes locking bar for secure installation
- Simple hook-on installation with all mounting hardware included
- Revised interface fixings for improved screen compatibility



Screen Size 21" - 37"

Max. Weight 35kg (77lbs)

Distance From Wall 80mm (3.1")

Max. Distance Between Fixings H: 465mm (18.3") V: 300mm (11.8")

VESA	75 x 75	300 x 200
	100 x 100	300 x 300
	200 x 100	400 x 200
	200 x 200	

Tilt +/-18°

Colours Available **Black**

Patent Application No. GB0817023.5

Registered Design No. 3021714